

INDUSTRIAL[®] MULTI-ROUND BAG HOUSINGS



Multi-Round Liquid Bag Housings effectively remove dirt, pipe scale, and other substances from process liquids. Quality construction and design assure clean effluent and protection for all downstream equipment.

Unfiltered liquid enters the housing above the filter bags or strainer baskets, fills the interior of the housing and continues through the bag or strainer basket. Solids are trapped inside the filter bags or strainers and easily removed when the housing is serviced.

FEATURES/BENEFITS

Flow rates up to 3500 gpm
(13,247.5 Lpm)
150 and 300 PSI (10.3 and 20.7 bar)
ratings
2 basket to 24 basket housing designs,
depending upon the required surface
area and volume of fluid to be filtered
Carbon Steel or Stainless Steel
construction
Each housing is factory hydro-tested
Low pressure drop
Zinc-plated swing bolts with bearing-
assisted davit closure

APPLICATIONS

Chemical
General Industrial
Oil and Gas
Water

Buna-N[®] seals — lid and basket
Differential, drain, and vent ports
304 Stainless Steel strainer basket for
304 Stainless Steel housings and Carbon
Steel housings
316 Stainless Steel strainer basket for
316 Stainless Steel housings
Two-part epoxy finish on carbon steel
housings, inside and outside
Accepts #2-size bag filters
Heavy-duty support legs

OPTIONS

Mesh-lined strainer baskets
Alternative O-ring materials
Hydraulic lid lift
Positive hold down spring
Higher pressure ratings

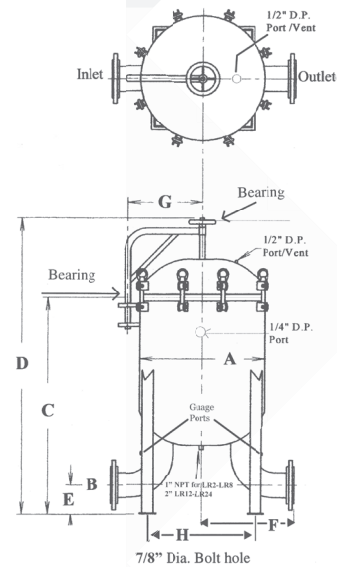
SPECIFICATIONS

Pressure Rating	150 psi @ 300°F (10.3 bar @ 148.9°C) (up to 300 psi (34.5 bar) optional)
Connections	2", 3", 4", 6", 8", 10", or 12" RF flange
Housing Lid	Zinc-plated swing bolts with bearing assisted davit cover lift
Lid Seal	Buna-N®
Pressure Ports	Two differential ports measure pressure across filter bag, 1/4" NPT
Construction/Finish	Carbon steel w/2-part epoxy finish inside and outside 304 or 316 Stainless steel w/satin finish on outside
Basket Material	304 Stainless Steel strainer basket with 9/64" perforations for 304 Stainless Steel housings and Carbon Steel housings 316 Stainless Steel strainer basket with 9/64" perforations for 316 Stainless Steel housings
Bag Sizes	#2
Base	Heavy duty support legs

DIMENSIONS

HOUSING	BASKET QUANTITY	PIPE SIZE (IN.)	STRAINING AREA		NOMINAL FLOW RATE	
			FT. ²	M ²	GPM	LPM
LR2	2	2, 3, 4	8.0	0.74	400.0	1514.0
			13.2	1.23	600.0	2271.0
LR3	3	2, 3, 4	17.6	1.64	800.0	3028.0
			26.4	2.45	1200.0	4542.0
LR4	4	3, 4, 6	35.2	3.27	1600.0	6056.0
			44.0	4.09	2100.0	7949.0
LR6	6	3, 4, 6	74.8	6.95	3500.0	13248.0
			92.4	8.58	4300.0	16276.0

All dimensions are approximate.



HOUSING	PIPE SIZE		DIMENSIONS								WEIGHT	
			A	B	C	D	E	F	G	H	LBS	KG
LR2	2	IN	16.0	2.0	42.8	61.2	5.0	8.4	11.4	11.2	CALL	
		MM	406	51	1087	1554	127	213	290	284		
	3	IN	16.0	3.0	44.9	63.3	10.0	11.4	11.0	9.2		
		MM	406	76	1140	1608	254	290	279	234		
	4	IN	16.0	4.0	46.9	65.3	6.5	11.6	11.4	11.2		
		MM	406	102	1191	1659	165	295	290	284		
LR3	2	IN	18.0	2.0	42.9	61.9	5.0	9.4	12.4	12.4	LBS	410
		MM	457	51	1090	1572	127	239	315	315	KG	186
	3	IN	18.0	3.0	45.0	63.9	5.8	10.9	12.4	12.4	LBS	435
		MM	457	76	1143	1623	147	277	315	315	KG	197
	4	IN	18.0	4.0	47.1	66.1	6.5	12.3	12.4	12.4	LBS	460
		MM	457	102	1196	1679	165	312	315	315	KG	209

DIMENSIONS (CONTINUED)

HOUSING	PIPE SIZE										WEIGHT	
			A	B	C	D	E	F	G	H		
LR4	2	IN	22.0	2.0	46.4	65.9	5.0	10.2	14.4	15.3	LBS	535
		MM	559	51	1179	1674	127	259	366	389	KG	243
	3	IN	22.0	3.0	48.7	68.1	5.8	11.2	14.4	15.3	LBS	555
		MM	559	76	1237	1730	147	284	366	389	KG	252
	4	IN	22.0	4.0	50.9	70.4	6.5	12.3	14.4	15.3	LBS	590
		MM	559	102	1293	1788	165	312	366	389	KG	268
LR6	3	IN	26.0	3.0	45.8	65.8	5.8	13.2	16.5	18.2	LBS	535
		MM	660	76	1163	1671	147	335	419	462	KG	243
	4	IN	26.0	4.0	48.1	68.1	6.5	14.3	16.5	14.8	LBS	555
		MM	660	102	1222	1730	165	363	18	376	KG	252
	6	IN	26.0	6.0	46.0	66.0	7.0	17.6	16.5	18.2	LBS	590
		MM	660	152	1168	1676	178	447	419	462	KG	268
LR8	3	IN	30.0	3.0	50.4	72.3	5.8	14.1	18.5	21.1	LBS	665
		MM	762	76	1280	1836	147	358	470	536	KG	302
	4	IN	30.0	4.0	52.6	74.5	6.5	15.1	18.5	21.1	LBS	705
		MM	762	102	1336	1892	165	384	470	536	KG	320
	6	IN	30.0	6.0	50.6	72.4	7.0	18.1	18.5	21.1	LBS	850
		MM	762	152	1285	1839	178	460	470	536	KG	385
	8	IN	30.0	55.7	55.7	77.6	10.8	22.3	18.5	21.1	LBS	960
		MM	762	1415	1415	1971	274	566	470	536	KG	435
LR12	4	IN	36.0	4.0	53.4	78.9	6.6	18.2	24.6	25.4	LBS	870
		MM	914	102	1356	2004	168	462	625	645	KG	395
	6	IN	36.0	6.0	51.2	76.7	7.0	21.1	24.6	25.4	LBS	1010
		MM	914	152	1300	1948	178	536	625	645	KG	458
	8	IN	36.0	8.0	57.6	83.1	10.8	23.8	24.6	25.4	LBS	1150
		MM	914	203	1463	2111	274	605	625	645	KG	522
	10	IN	36.0	10.0	59.9	85.4	11.0	26.9	24.6	25.4	LBS	1210
		MM	914	254	1521	2169	279	683	625	645	KG	548
LR17	6	IN	42.0	6.0	52.3	79.1	7.0	23.3	27.6	29.6	LBS	1960
		MM	1067	152	1328	2009	178	592	701	752	KG	889
	8	IN	42.0	8.0	59.0	85.9	10.8	25.3	27.6	29.6	LBS	2070
		MM	1067	203	1499	2182	274	643	701	752	KG	939
	10	IN	42.0	10.0	61.5	88.4	11.0	28.3	27.6	29.6	LBS	2200
		MM	1067	254	1562	2245	279	719	701	752	KG	998
	12	IN	42.0	12.0	62.8	88.7	11.0	32.2	27.6	29.6	LBS	2380
		MM	1067	305	1595	2253	279	818	701	752	KG	1079
LR24	8	IN	26.0	8.0	59.5	88.0	10.8	28.3	30.6	33.8	LBS	2200
		MM	660	203	1511	2235	274	719	777	859	KG	998
	10	IN	26.0	10.0	62.8	91.2	11.0	30.3	30.6	33.8	LBS	2350
		MM	660	254	1595	2316	279	770	18	859	KG	1066
	12	IN	26.0	12.0	65.8	94.2	11.0	32.4	30.6	33.8	LBS	2530
		MM	660	305	1671	2393	279	823	777	859	KG	1147

All dimensions are approximate.

ORDERING INFORMATION

To create your ordering part number, use the part number configurator below.

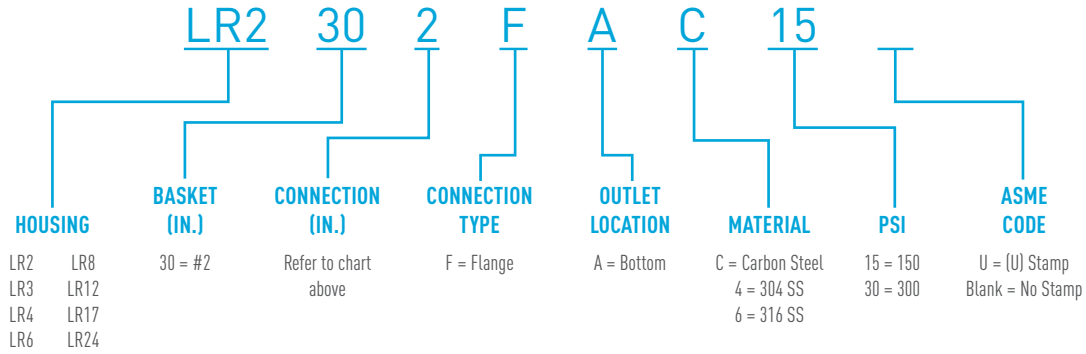
Custom configurations available. Please contact customer service.

Carbon steel not recommended for water use as the epoxy coating is not designed as a corrosion inhibitor.

HOUSING EXAMPLE: LR2302FAC15

LR2 Housing (LR2), 30" basket (30), 2" (2), Flange connection (F)

Carbon steel (C), 150 psi (15)



FILTRATION & PROCESS

5730 NORTH GLEN PARK ROAD, MILWAUKEE, WI 53209

P: 262.238.4400 | F: 262.518.4404 | WWW.PENTAIRINDUSTRIAL.COM | CUSTOMER CARE: 800.279.9404

All Pentair trademarks and logos are owned by Pentair, Inc. or its affiliates. All other registered and unregistered trademarks and logos are the property of their respective owners. Because we are continuously improving our products and services, Pentair reserves the right to change specifications without prior notice. Pentair is an equal opportunity employer.

4003037 Rev A NV13 © 2013 Pentair Residential Filtration, LLC. All Rights Reserved.