

## INDUSTRIAL<sup>®</sup> C88

### 6-ROUND LIQUID CARTRIDGE HOUSINGS



C88 6-Round Liquid Cartridge Housings give the versatility of choosing cartridges for the needed flow rates, chemical compatibility and particle retention.

#### FEATURES/BENEFITS

Accommodates 6 elements in 20", 30" or 40" (254, 508, 762, 1016 mm) lengths  
 Flow rates to 120 gpm (454.2 Lpm)  
 150 PSI (10.3 bar) and 300 PSI (20.7 bar) pressure ratings  
 Carbon or Stainless Steel construction  
 Zinc-plated quick-swing closure with eye nuts  
 300 PSI (20.7 bar) housing has a slip and blind flange lid

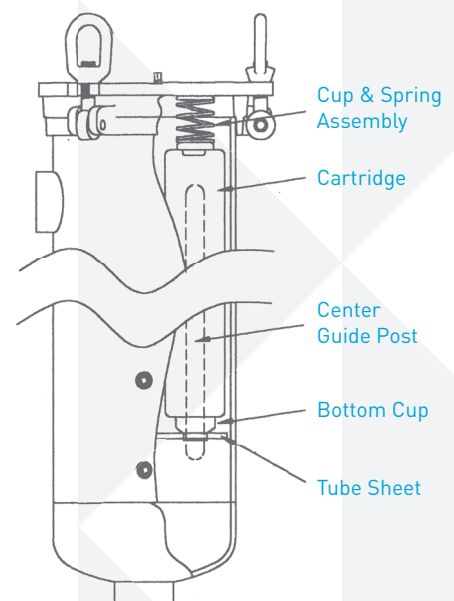
Buna-N<sup>®</sup> lid seal  
 316 Stainless Steel cup and spring assemblies  
 Differential, drain, and vent ports  
 Adjustable support legs  
 Two-part epoxy paint inside and outside on carbon steel housings  
 316 Stainless Steel center guide post  
 Made to accept double open end cartridges (DOE) or 222 style with closed top cap\*

#### APPLICATIONS

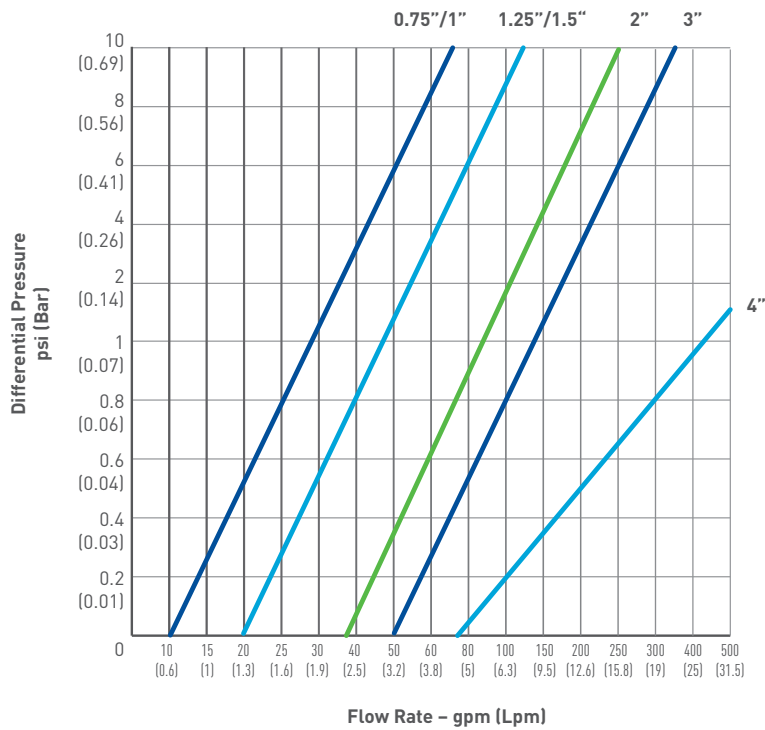
Commercial  
 General Industrial

#### OPTIONS

Duplexing for continual flow during maintenance  
 Higher pressure rating  
 226 style cartridge compatibility  
 Fin style top  
 ASME Code U or UM



## PRESSURE DROP VS FLOW RATE

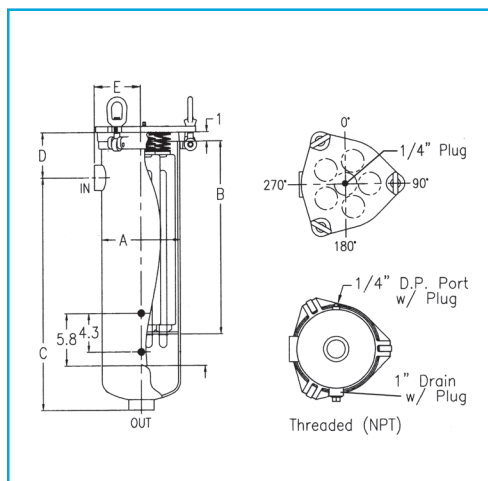


## DIMENSIONS

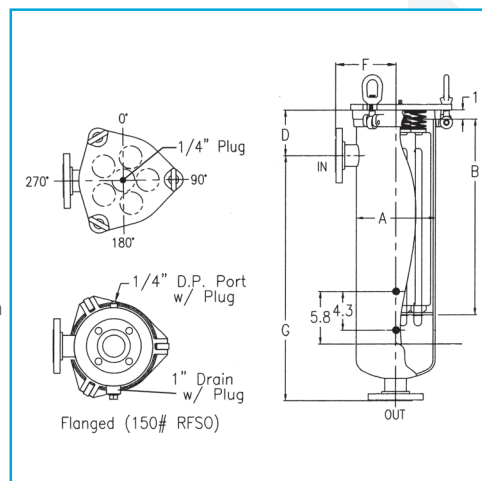
HOUSING	CARTRIDGE LENGTH	CONNECTION SIZE OPTIONS	CARTRIDGE QUANTITY	METRIC	DIMENSIONS						
					A	B	C	D	E	F	G
C88	20"	2" 3" 4"	6	IN	8.6	24.5	22.3	6.0	4.1	5.2	23.3
				MM	218	622	566	152	104	132	592
	30"		6	IN	8.6	34.5	32.3	6.0	4.1	5.2	33.3
				MM	218	876	820	152	104	132	846
	40"		6	IN	8.6	44.5	42.3	6.0	4.1	5.2	43.3
				MM	218	1130	1074	152	104	132	1100

All dimensions are approximate.

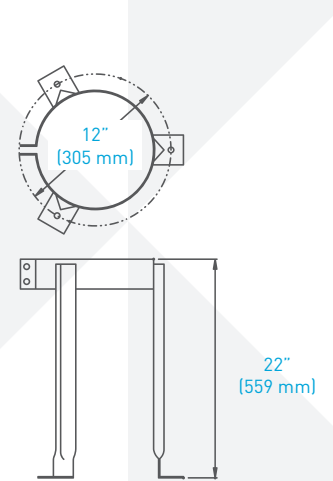
### THREADED (NPT) TYPE



### FLANGE TYPE



### ADJUSTABLE LEGS



## ORDERING INFORMATION

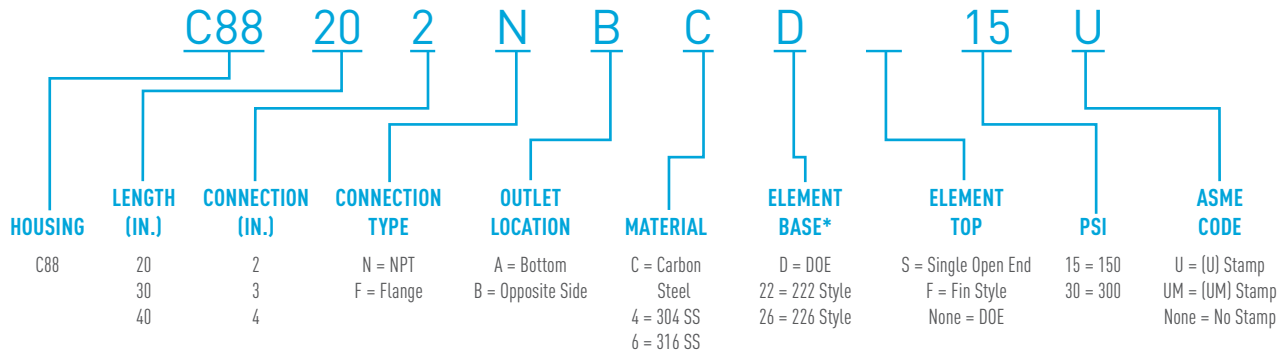
To create your ordering part number, use the part number configurator below.  
 Custom configurations available. Please contact customer service.

### HOUSING EXAMPLE: C88202NBCD15U

C88 housing (C88), 20" length (20), 2" (2), NPT connection (N)

Outlet location on opposite side (B), Carbon steel (C), Double open ended element (D)

150 psi (15), ASME Code (U) Stamp (U)



Note: If DOE, it is only required once in the part number and will specify both top and base. Cartridges are not included but must be specified as to the type using when ordering the housing. Carbon steel not recommended for water use as the epoxy coating is not designed as a corrosion inhibitor.



#### FILTRATION & PROCESS

5730 NORTH GLEN PARK ROAD, MILWAUKEE, WI 53209

P: 262.238.4400 | F: 262.518.4404 | WWW.PENTAIRINDUSTRIAL.COM | CUSTOMER CARE: 800.279.9404

All Pentair trademarks and logos are owned by Pentair, Inc. or its affiliates. All other registered and unregistered trademarks and logos are the property of their respective owners. Because we are continuously improving our products and services, Pentair reserves the right to change specifications without prior notice. Pentair is an equal opportunity employer.

4003024 Rev A NV13 © 2013 Pentair Residential Filtration, LLC. All Rights Reserved.