

INDUSTRIAL[®] C66

3-ROUND LIQUID CARTRIDGE HOUSINGS



C66 3-Round Liquid Cartridge Housings give the versatility of choosing cartridges for the needed flow rates, chemical compatibility and particle retention. The C66 accommodates three elements in 20", 30" or 40" (508, 762, 1016 mm) lengths.

FEATURES/BENEFITS

Flow rates to 60 gpm (227.1 Lpm)
150 (10.3 bar) and 300 PSI (20.7 bar)
pressure rating
Carbon or Stainless Steel construction
Zinc-plated quick-swing closure
with eye nuts
300 PSI (20.7 bar) housing has a slip
and blind flange lid
Buna-N[®] lid seal

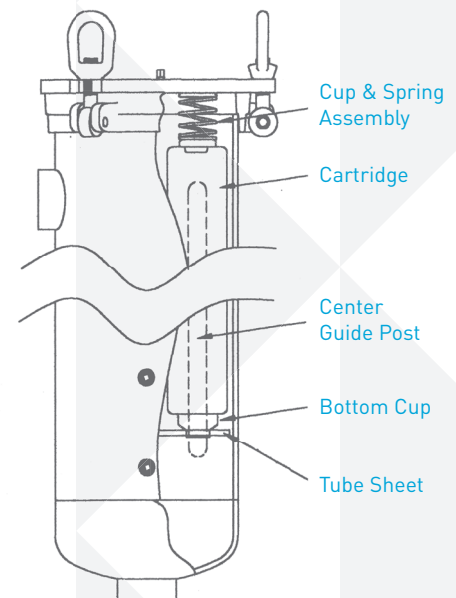
316 Stainless Steel cup and spring
assemblies
Differential, drain, and vent ports
Adjustable support legs
Two-part epoxy paint inside and outside
on carbon steel housings
316 Stainless Steel center guide post
Made to accept double open end
cartridges (DOE) or 222 style with closed
top cap*

APPLICATIONS

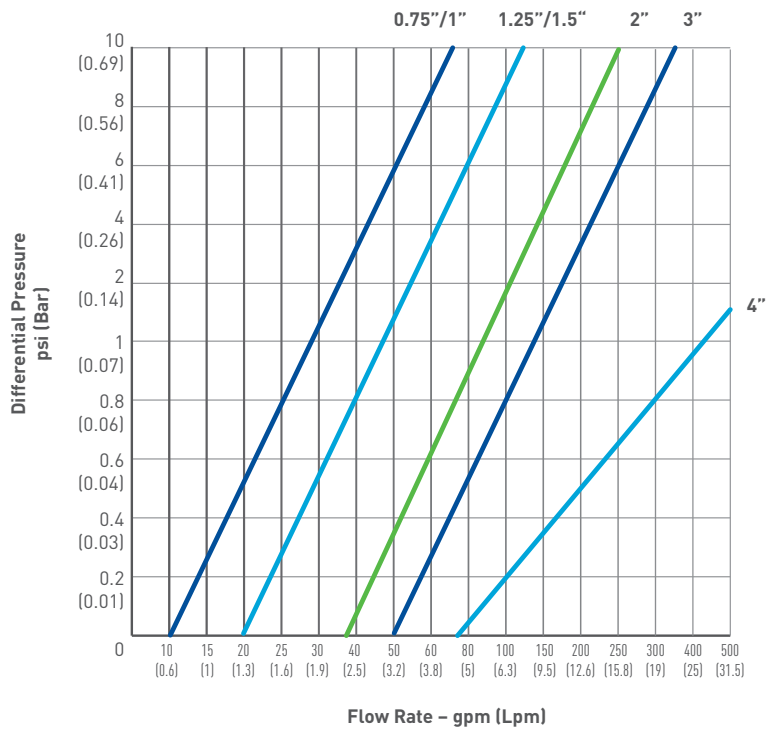
Commercial
General Industrial

OPTIONS

Duplexing for continual flow during maintenance
Higher pressure rating
226 style cartridge compatibility
Fin style top
ASME Code U or UM



PRESSURE DROP VS FLOW RATE

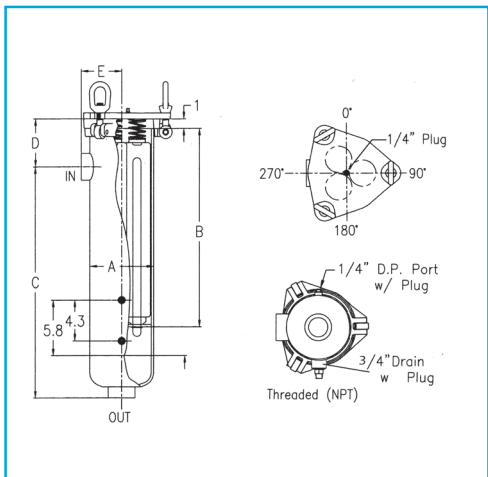


DIMENSIONS

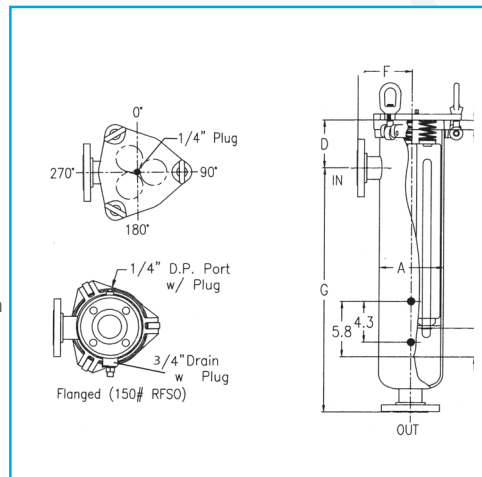
HOUSING	CARTRIDGE LENGTH	CONNECTION SIZE OPTIONS	CARTRIDGE QUANTITY	METRIC	DIMENSIONS						
					A	B	C	D	E	F	G
C66	20"	1" 1.25" 1.50" 2" 3"	3	IN	6.6	24.5	22.3	6.0	4.1	5.2	23.5
				MM	168	622	566	152	104	132.0	597
	30"		3	IN	6.6	34.5	32.3	6.0	4.1	5.2	33.5
				MM	168	876	820	152	104	132	851
	40"		3	IN	6.6	44.5	42.3	6.0	4.1	6.25	43.8
				MM	168	1130	1074	152	104	159	1113

All dimensions are approximate.

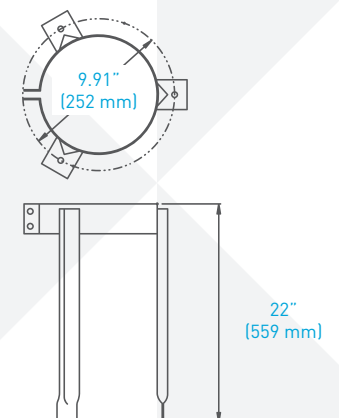
THREADED (NPT) TYPE



FLANGE TYPE



ADJUSTABLE LEGS

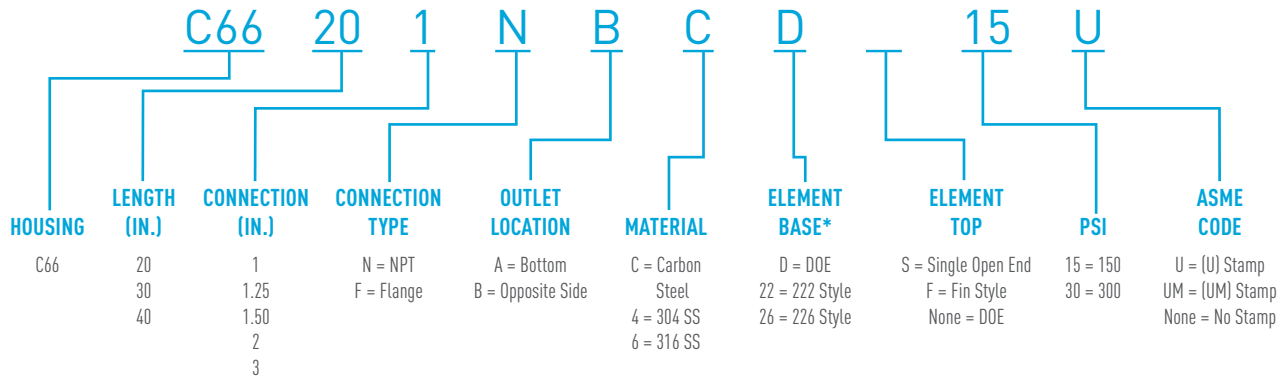


ORDERING INFORMATION

To create your ordering part number, use the part number configurator below.
 Custom configurations available. Please contact customer service.

HOUSING EXAMPLE: C66201NBCD15U

C66 housing (C66), 20" length (20), 1" (1), NPT connection (N)
 Outlet location on opposite side (B), Carbon steel (C), Double open ended element (D)
 150 psi (15), ASME Code (U) Stamp (U)



Note: If DOE, it is only required once in the part number and will specify both top and base. Cartridges are not included but must be specified as to the type using when ordering the housing. Carbon steel not recommended for water use as the epoxy coating is not designed as a corrosion inhibitor.



FILTRATION & PROCESS

5730 NORTH GLEN PARK ROAD, MILWAUKEE, WI 53209
 P: 262.238.4400 | F: 262.518.4404 | WWW.PENTAIRINDUSTRIAL.COM | CUSTOMER CARE: 800.279.9404

All Pentair trademarks and logos are owned by Pentair, Inc. or its affiliates. All other registered and unregistered trademarks and logos are the property of their respective owners. Because we are continuously improving our products and services, Pentair reserves the right to change specifications without prior notice. Pentair is an equal opportunity employer.

4003023 Rev A NV13 © 2013 Pentair Residential Filtration, LLC. All Rights Reserved.