

INDUSTRIAL[®] C44

SINGLE LIQUID CARTRIDGE HOUSINGS



C44 Single Liquid Cartridge Housings give the versatility of choosing cartridges for the needed flow rates, chemical compatibility and particle retention. The C44 accommodates one element in 10", 20", 30" or 40" (254, 508, 762, 1016 mm) lengths.

FEATURES/BENEFITS

Flow rates to 20 gpm (75.8 Lpm)
 150 and 300 PSI (10.3 and 20.7 bar)
 pressure ratings
 Carbon or Stainless Steel construction
 Zinc-plated quick-swing closure with eye
 nuts
 Buna-N[®] lid seal
 316 Stainless Steel cup and spring
 assemblies

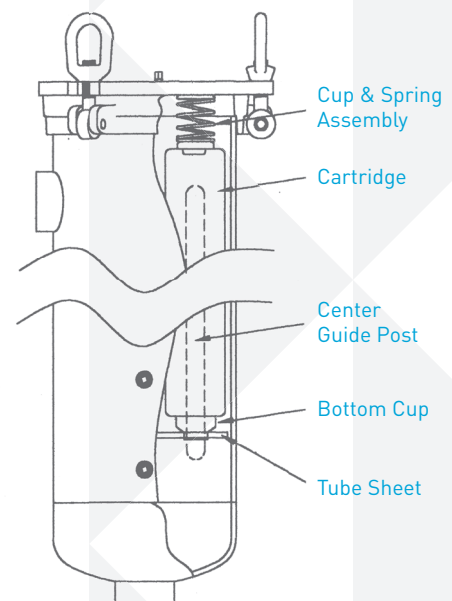
Differential, drain, and vent ports
 316 Stainless Steel center guide post
 Two-part epoxy paint inside and outside
 on carbon steel housings
 Made to accept double open end
 cartridges (DOE) or 222 style with closed
 top cap*

APPLICATIONS

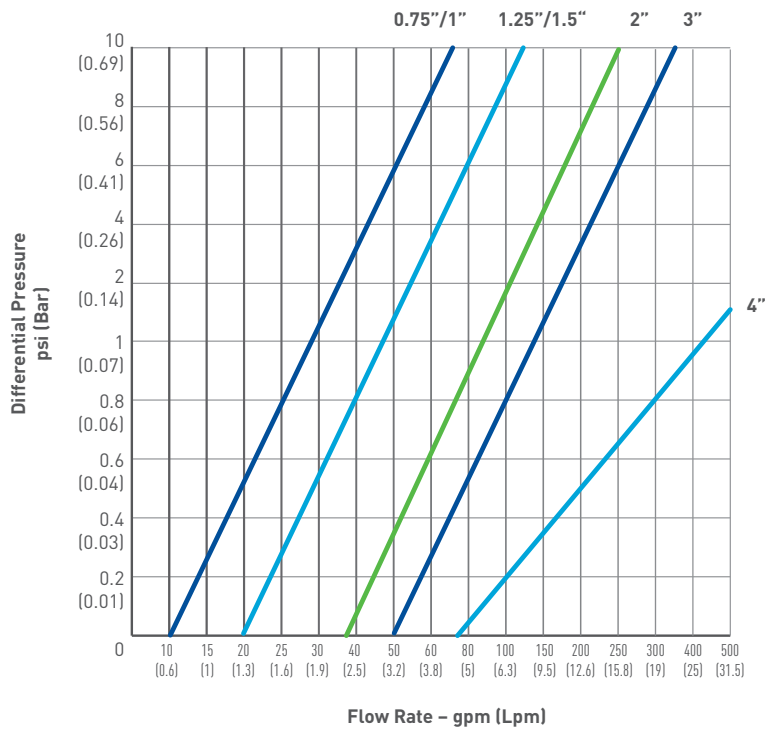
Commercial
 General Industrial

OPTIONS

Duplexing for continual flow during
 maintenance
 Higher pressure rating
 226 style cartridge compatibility
 Fin style top
 ASME Code U or UM
 Adjustable support legs



PRESSURE DROP VS FLOW RATE

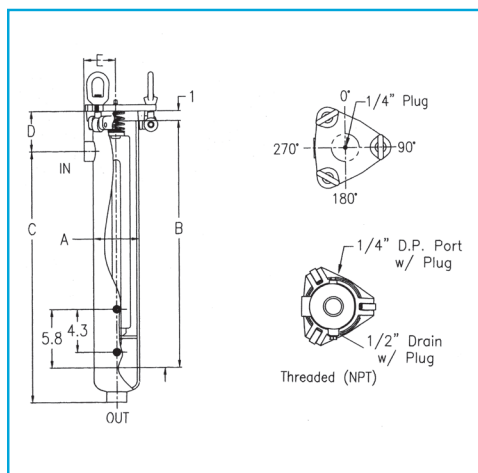


DIMENSIONS

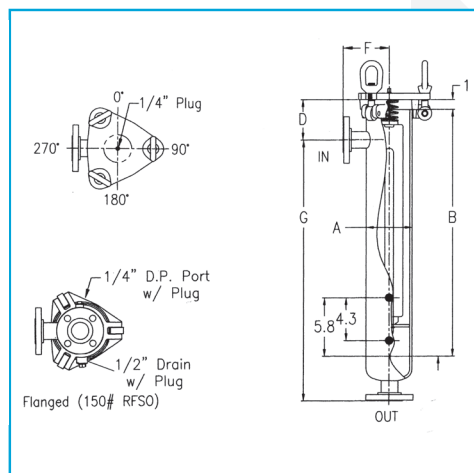
HOUSING	CARTRIDGE LENGTH	CONNECTION SIZE OPTIONS	CARTRIDGE QUANTITY	METRIC	DIMENSIONS						
					A	B	C	D	E	F	G
C44	10"	0.75" 1.0" 1.25" 1.50" 2.0"	1	IN	4.5	12.5	13.7	4.0	3.5	4.5	14.7
				MM	114	318	348	102	89	114	373
	20"		1	IN	4.5	22.5	23.7	4.0	3.5	4.5	24.7
				MM	114	572	602	102	89	114	627
	30"		1	IN	4.5	32.5	33.7	4.0	3.5	4.5	34.7
				MM	114	826	856	102	89	114	881
	40"		1	IN	4.5	42.5	43.7	4.0	3.5	4.5	44.7
				MM	114	1080	1110	102	89	114	1135

All dimensions are approximate.

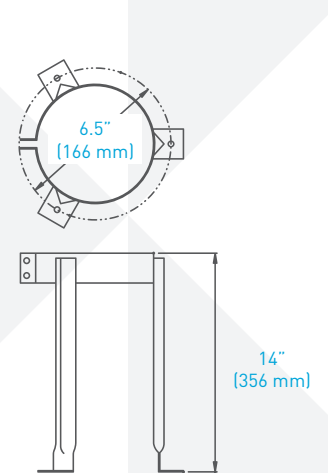
THREADED (NPT) TYPE



FLANGE TYPE



ADJUSTABLE LEGS

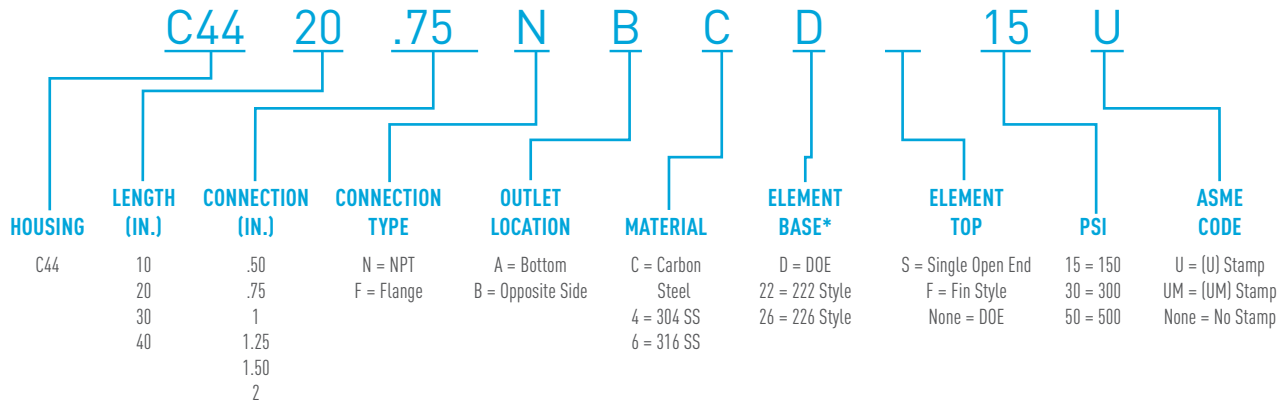


ORDERING INFORMATION

To create your ordering part number, use the part number configurator below.
 Custom configurations available. Please contact customer service.

HOUSING EXAMPLE: C4420.75NBCD15U

C44 housing (C44), 20" length (20), 0.75" (.75), NPT connection (N)
 Outlet location on opposite side (B), Carbon steel (C), Double open ended element (D)
 150 psi (15), ASME Code (U) Stamp (U)



Note: If DOE, it is only required once in the part number and will specify both top and base. Cartridges are not included but must be specified as to the type using when ordering the housing. Carbon steel not recommended for water use as the epoxy coating is not designed as a corrosion inhibitor.



FILTRATION & PROCESS

5730 NORTH GLEN PARK ROAD, MILWAUKEE, WI 53209
 P: 262.238.4400 | F: 262.518.4404 | WWW.PENTAIRINDUSTRIAL.COM | CUSTOMER CARE: 800.279.9404

All Pentair trademarks and logos are owned by Pentair, Inc. or its affiliates. All other registered and unregistered trademarks and logos are the property of their respective owners. Because we are continuously improving our products and services, Pentair reserves the right to change specifications without prior notice. Pentair is an equal opportunity employer.

4003022 Rev A NV13 © 2013 Pentair Residential Filtration, LLC. All Rights Reserved.